

**SERIES 100  
METER AND  
ACCESSORIES**

**FIRE HYDRANT METER  
2 1/2" Hose Connection**

PDS-162  
Supersedes  
PDS-114  
7/1/91

The Sparling Fire Hydrant Meter is fitted for fire hydrant connection and is designed to measure flows from 35 GPM up, with accuracy within two per cent.

The pressure drop through the Meter is approximately one pound per square inch at 200 gallons per minute.

The body is cast aluminum alloy, with stainless steel liner. The propeller is polyethylene plastic; all other parts in contact with liquid are bronze or stainless steel.

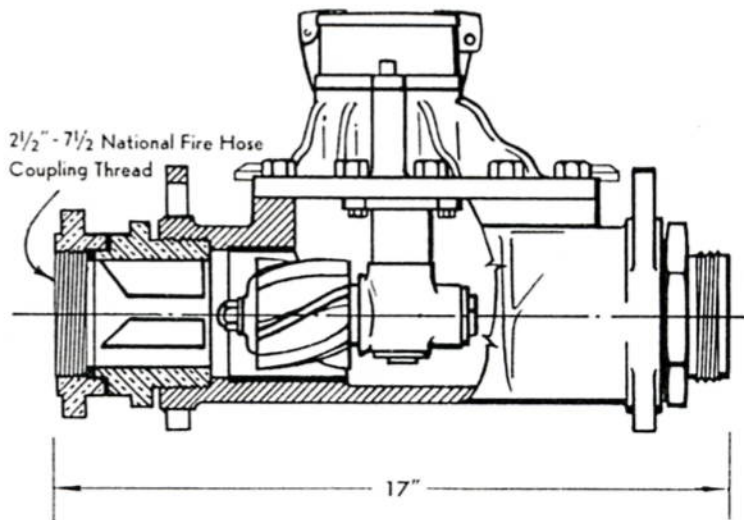
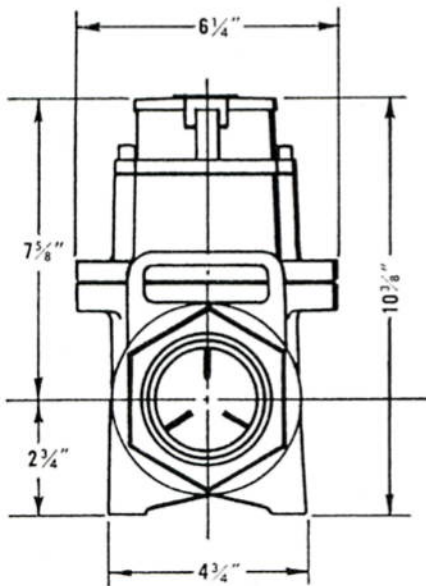
The connections are 2 1/2-inch National Fire Hose, 7 1/2 thread coupling and spigot. 3" Standard Pipe thread tapped both ends may be supplied if preferred.

Weighing only twenty pounds, it is convenient to carry and attach. Installation on fire hydrant and connection to hose can be made in one minute.



**HOW TO ORDER**

- With 2 1/2" National Fire Hose Fitting:  
Model No. FM 162-037-000-00
- With 3" National Pipe Thread:  
Model No. FM 162-035-000-00



**Sparling Instruments, Inc.**

4097 N. Temple City Blvd. • El Monte, CA 91731-1089 USA

Phone (626) 444-0571 • Fax (626) 444-2314

Litho in U.S.A. Sparling and  are Trademarks.

