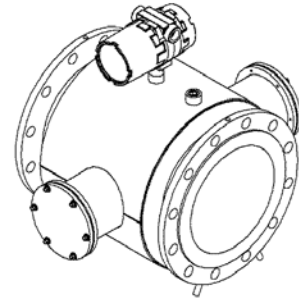


TigermagEP

FM656-HT Hot-Tap Removable Electrode Option

Obstructionless Electromagnetic Flowmeter



DESCRIPTION

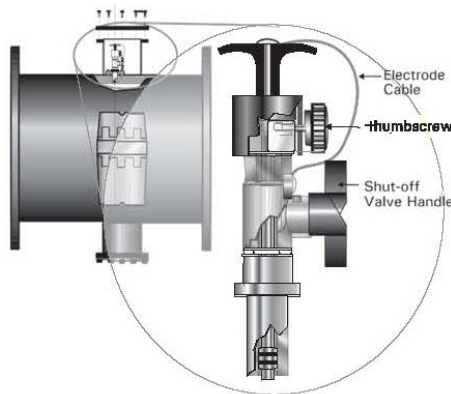
The TigermagEP FM656 is a microprocessor based electromagnetic flowmeter designed to measure the flow of conductive liquids in full pipes. This datasheet applies to the Hot-Tap Removable Electrode Option.

KEY FEATURES

Sparling's Hot-Tap electrode design has several key features:

- 1) There is no interruption of flow or depressurization of the line required during electrode replacement or maintenance.
- 2) Available in sizes 6" to 54".
- 3) Available for FEP/PTFE ('Tef'), Polyurethane and Hard Rubber Liners.
- 4) No special tools required - removal can be easily performed with standard tools

REMOVAL / INSERTION OF ELECTRODES



To remove the Hot-Tap electrodes takes only a few straightforward steps:

1. Remove port cover by removing 6 bolts.
2. Remove the electrode cable from the top of the handle by removing the screw.
3. Loosen the thumbscrew which releases the electrode assembly and allows the

- black electrode handle to be pulled out approximately 4" to its "STOP" position.
4. Turn the shut-off valve handle clockwise to close the ball valve and isolate the electrode from the process fluid.
5. Remove the electrode assembly with a crescent wrench.

To insert, follow the steps in reverse.

INSTALLATION

Meters with the Hot-Tap option are installed in pipelines in the same fashion as standard meters. Added space is required around the meter, however, to allow for space to remove the electrodes. Below are the recommended, and minimum, distances for centerline of the meter to the closest wall or other obstruction.

Meter Size (Inches)	Distance (inches) from Centerline of meter to closest obstruction "L"	
	Recommended	Minimum
6	23	17.5
8	24	18.5
10	25	19.5
12	26	20.5
14	27	21.5
16	28	22.5
18	29	23.5
20	30	24.5
24	32	26.5
30	35	29.5
36	38	32.5
42	41	35.5
48	44	38.5
54	47	41.5

